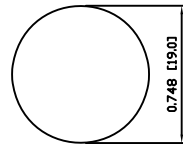
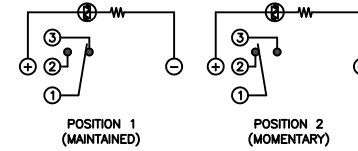


SUGGESTED PANEL CUTOUT



MAXIMUM PANEL THICKNESS: 0.433 [11.0mm]

SCHEMATIC



SPECIFICATIONS

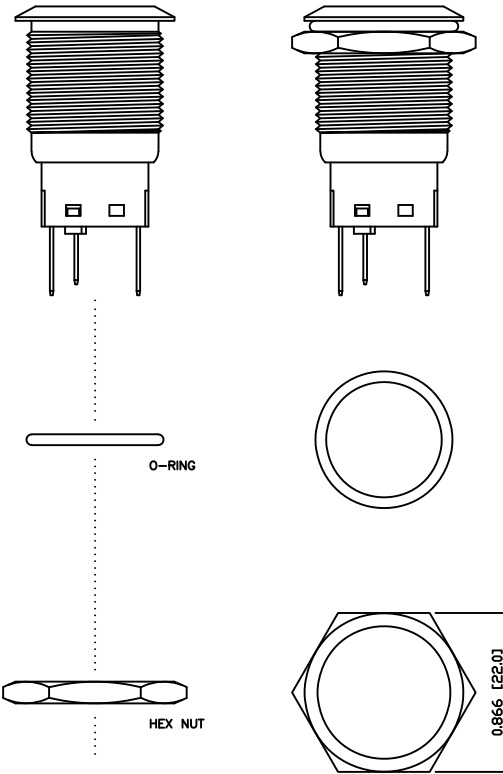
- FUNCTION: 1P2T ON-(ON)
- RATING: 2A 24VDC
- ILLUMINATION VOLTAGE: 2.8V 20mA
- CONTACT RESISTANCE: Initial: 50mΩ Max. at 1A 12VDC
- INSULATION RESISTANCE: 1,000MΩ Min. at 500VDC
- DIELECTRIC STRENGTH: 2,000VAC Min. for 1 Minute
- ELECTRICAL LIFE: 50,000 Cycles
- MECHANICAL LIFE: 1,000,000 Cycles
- TEMPERATURE: Operating: -20°C to 70°C
- INGRESS PROTECTION: IP65
- APPROVALS: **RoHS** COMPLIANT

MATERIALS

- BUSHING: Stainless Steel (304)
- BASE: Polycarbonate (PC), Polybutylene Terephthalate (PBT), UL94 V-2
- ACTUATOR: Stainless Steel (304), Polycarbonate (PC)
- HARDWARE: Nickel Plated Brass (H59)
- SEALING: Silicone Rubber
- INNER ASSEMBLY: Polyoxymethylene (POM), Phosphor Bronze
- SPRING: Spring Steel
- CONTACTS: Gold Over Silver/Cadmium Oxide (AgCdO)
- TERMINALS: Silver Plated Brass (H62), Silver Plated Phosphor Bronze
- O-RING: Silicone Rubber

COLORS AND FINISH

- BEZEL: Stainless Steel Machine Finish
- ACTUATOR: Stainless Steel Machine Finish
- ILLUMINATION: Green (Forward), Blue (Reverse)
- MARKING: None



EXPLODED VIEW

ASSEMBLED VIEW

BODY	A	09/07/24	CAB
COLORS	A	09/07/24	CAB
MATERIALS	B	09/10/16	CAB
SPECIFICATIONS	A	09/07/27	CAB
REFERENCE	REV.	DATE	BY

THE INFORMATION CONTAINED IN THIS DOCUMENT IS PROPRIETARY TO E-SWITCH AND IS NOT TO BE COPIED OR TRANSFERRED

A	UPDATED RATING TO 2A @ 24VDC	23598	10/8/18	MJR
REV.	DESCRIPTION	20778	9/26/12	ERP
		PCR	DATE	DRAWN BY

DIMENSIONS	
INCHES [MILLIMETERS]	
GENERAL TOLERANCES	
±0.008 [±0.2] / ±1'	
SCALE	PROJECTION
DRAWING NOT TO SCALE	1:1

PV4F2B0SSG-3N1		
DRAWING NUMBER	DATE	REVISION
P52-PV4F2B0SSG3N1	9/26/12	B